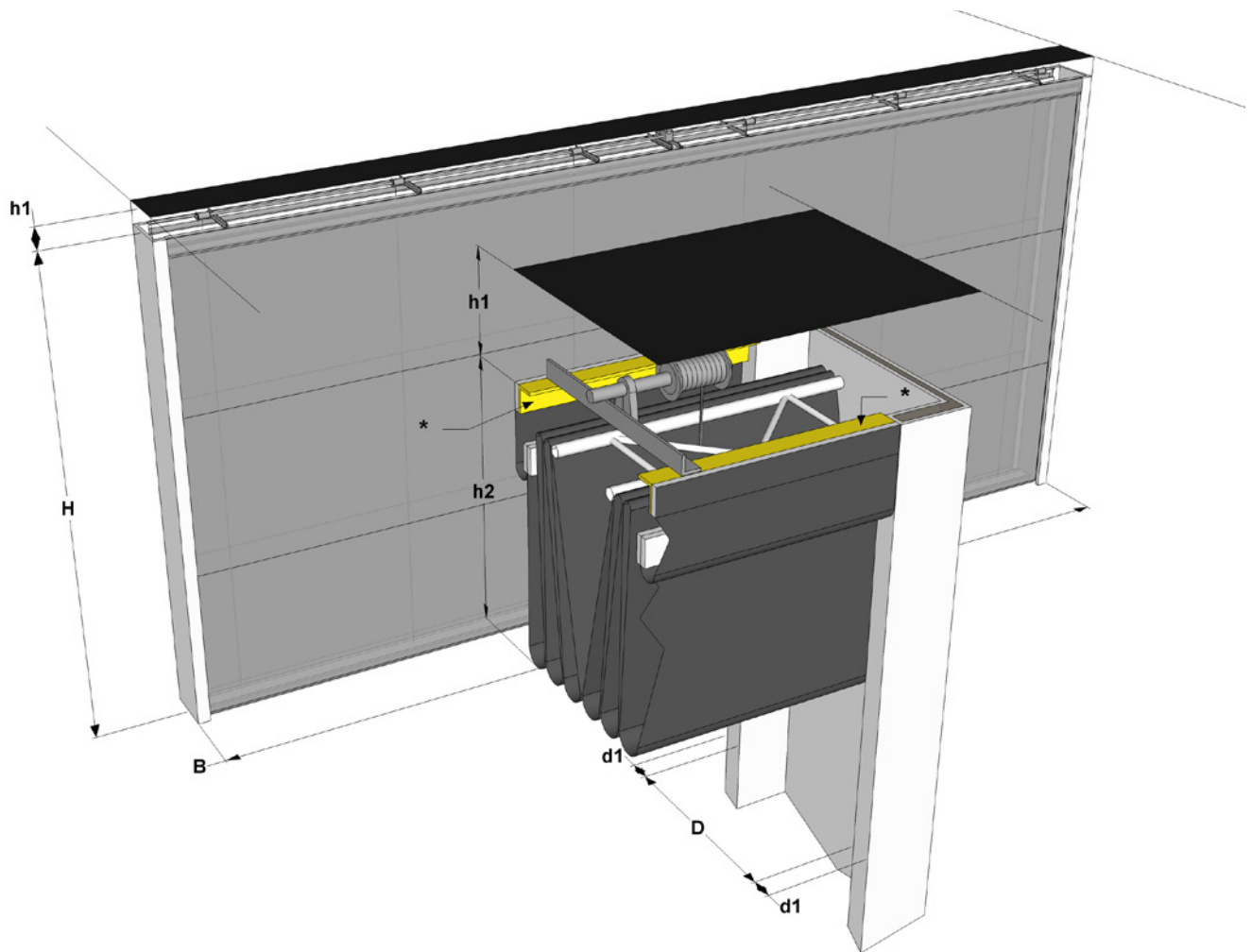


# Teanik 8000 Shaft



## General description

Teanik 8000 has been specifically designed for environments where high demands are placed on noise reduction, such as conference halls and lecture halls. The fabric is around four times heavier than Teanik 2000 which ensures a very robust and sound-proof wall.

## Design

The wall consists of two reinforced PVC fabric sheets (8,000g/m<sup>2</sup>). The sides of the curtain on Teanik 8000 are joined together using riveted aluminium on the inside. The model is fitted with sound traps and is built into the ceiling for enhanced sound reduction. An electrical mechanism, which is insensitive to deflections and settlements in the main body of the building, lifts the curtain wall for collection in the ceiling.

## Electrical equipment

The wall is fitted with a 3-phase worm gear electric motor (400 / 240 V, 50-60 Hz) with control and main limit switch. A lockable control register is included and installed by the customer on site where it is possible to be in full charge of the wall. The wall is supplied

with lock cylinders (DIN). Motor protection, circuit breakers and cable routing and connection are not included.

## Operation

The wall is operated using a key that springs back to stop after you release it.

## Safety

The motor unit is fitted with a brake, self-locking worm gear or fall protection. The wall has a 5 mm wire system with collection at shaft combined with adequately sized mechanical equipment. The unit has been approved in accordance with applicable regulations and is CE marked. Inspection not included.

## Project planning

We provide working documents with the execution and design characteristics for approval by the client before production and assembly.

## Guarantee

A 2 years guarantee for material and installation done by Saxi. This includes material and time for replacement excluding cost for freight, travel, accessibility, scaffolds, lift etc.

## Application

Appropriate size	20-250 m <sup>2</sup> (WxH)
Sound traps	Yes
Gallery seating	Options
Door opening	No
Valances to ceiling	Yes
Collection	In ceiling
Raised position	Straight
Wire system	5 mm, shaft

## Curtain

Curtain material	Reinforced PVC
Joints	Hidden profile
Flame protection	DIN 4102 B2 SIS 650082
Tear resistance	700 N when ripping
Tensile strength	3500 N / 5 cm

## Weight

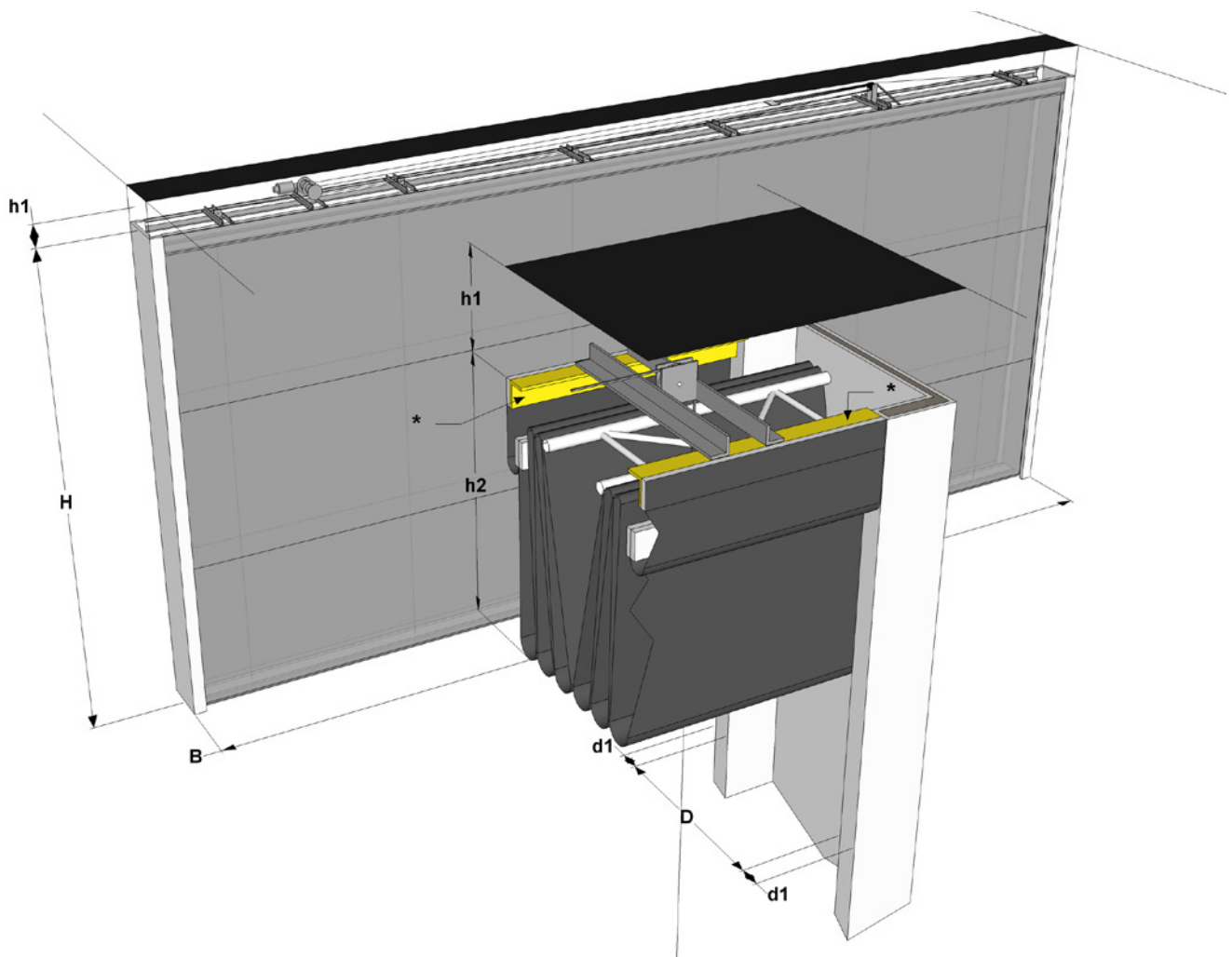
Curtain	8 kg / m <sup>2</sup> per side
Total	20 - 24 kg / m <sup>2</sup>
Motor	350 - 450 kg

## Sound reduction

Field values	35-40 dB
Lab values	Not measured

\* = not included

# Teanik 8000 Wire



## General description

Teanik 8000 has been specifically designed for environments where high demands are placed on noise reduction, such as conference halls and lecture halls. The fabric is around four times heavier than Teanik 2000 which ensures a very robust and sound-proof wall.

## Design

The wall consists of two reinforced PVC fabric sheets (8,000g/m<sup>2</sup>). The sides of the curtain on Teanik 8000 are joined together using riveted aluminium on the inside. The model is fitted with sound traps and is built into the ceiling for enhanced sound reduction. An electrical mechanism, which is insensitive to deflections and settlements in the main body of the building, lifts the curtain wall for collection in the ceiling.

## Electrical equipment

The wall is fitted with a 3-phase worm gear electric motor (400 / 240 V, 50-60 Hz) with control and main limit switch. A lockable control register is included and installed by the customer on site where it is possible to be in full charge of the wall. The wall is supplied

with lock cylinders (DIN). Motor protection, circuit breakers and cable routing and connection are not included.

## Operation

The wall is operated using a key that springs back to stop after you release it.

## Safety

The motor unit is fitted with a brake, self-locking worm gear or fall protection. The wall has a 5 mm wire system with dual head-wires combined with adequately sized mechanical equipment. The unit has been approved in accordance with applicable regulations and is CE marked. Inspection not included.

## Project planning

We provide working documents with the execution and design characteristics for approval by the client before production and assembly.

## Guarantee

A 2 years guarantee for material and installation done by Saxi. This includes material and time for replacement excluding cost for freight, travel, accessibility, scaffolds, lift etc.

## Application

Appropriate size	20-250 m <sup>2</sup> (WxH)
Sound traps	Yes
Gallery seating	Options
Door opening	No
Valances to ceiling	Yes
Collection	In ceiling
Raised position	Straight
Wire system	5 mm, dual head

## Curtain

Curtain material	Reinforced PVC
Joints	Hidden profile
Flame protection	DIN 4102 B2 SIS 650082
Tear resistance	700 N when ripping
Tensile strength	3500 N / 5 cm

## Weight

Curtain	8 kg / m <sup>2</sup> per side
Total	20 - 24 kg / m <sup>2</sup>
Motor	350 - 450 kg

## Sound reduction

Field values	35-40 dB
Lab values	Not measured

\* = not included